



FLEXI-HEX[®]

BOTTLE PACKAGING

→ **Drum Capsule data sheet**

Drum Capsule

Overview

Created for shorter and wider bottles such as spirit bottles or candles, the Drum Capsule is made of four parts. Firstly, the Flexi-Hex sleeve which creates a strong layer of protection around the bottle, then two caps which hold the sleeve in place and protect the ends, and finally a wrap which secures the capsule together. This is a sustainable and premium solution for higher value bottles and gifting.

Details

- Designed for the safe shipping of shorter bottles, premium goods and gifts
- Made from over 85% recycled pulp
- Plastic-free, recyclable, biodegradable and compostable
- Fits bottles of all shapes and sizes from demi to magnum
- A luxurious look and feel that adds value to brand perception
- Reduces breakage rates through innovative engineering
- Compact to store and lightweight for economical shipping
- Can be customized with company branding



Product Information

RANGE

Bottle Packaging

NAME

Drum Capsule

SKU

N/A

Product Description

A plastic-free bottle packaging kit that consists of a Flexi-Hex expanding honeycomb sleeve, two caps and a card wrap. Caps come in five sizes and the sleeve can be cut to length to suit different bottles. External postal boxes sold separately.



FLEXI-HEX[®]

Specification

COMPLETE UNIT

340mm H x 120mm Dia

WEIGHT

225g

QTY PER BOX

SLEEVE UNIT

330mm H x 35mm W x 20mm D

135g SU

100pcs

EXPANDED DIMENSIONS

Min 30mm - Max 300mm

CAP SIZES

100/110/120/130/140mm Dia x
35mm H

40g

100pcs

WRAP 280GSM

35mm W x 900mm L

10g

100pcs

Performance

CRUSH TEST (SLEEVE)

Test follows procedure outlined DIN EN 23035, 09/1994
At 23°C, 50% RH collapsing of the cells was on average 229kPa.
At 40°C, 90% RH collapsing of the cells was on average 147kPa.

SHOCK TEST

N/A

DROP TEST

ETSI EN 300 019-2-2 V2.3.1 (2013) Section T2.3
(Public Transportation)
& BS EN 60068-2- 31:2008 Test Ec

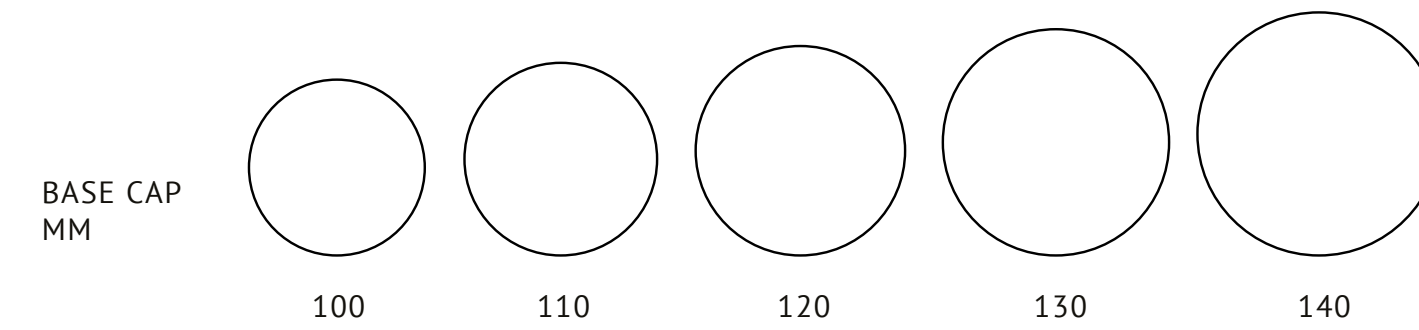
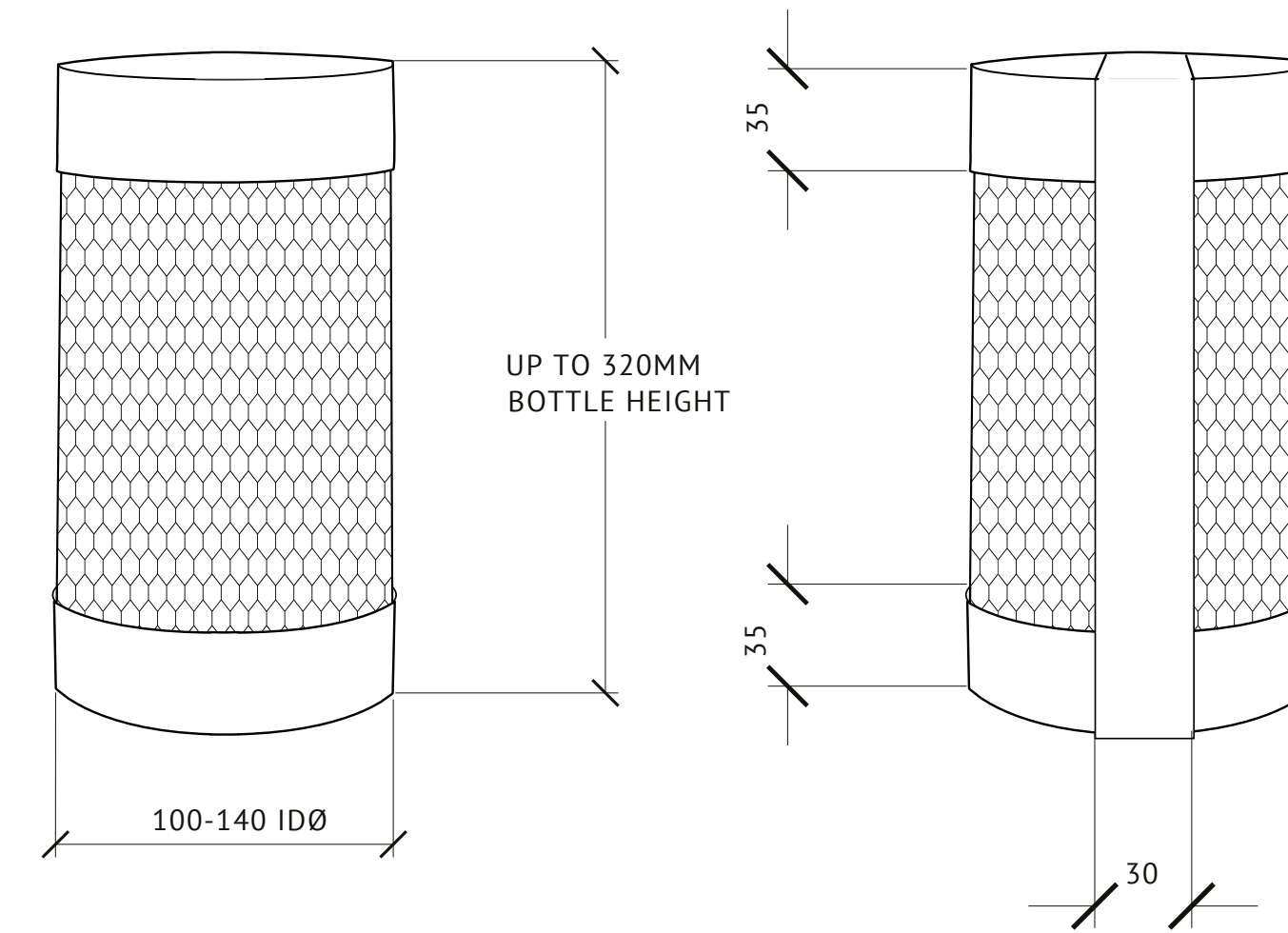
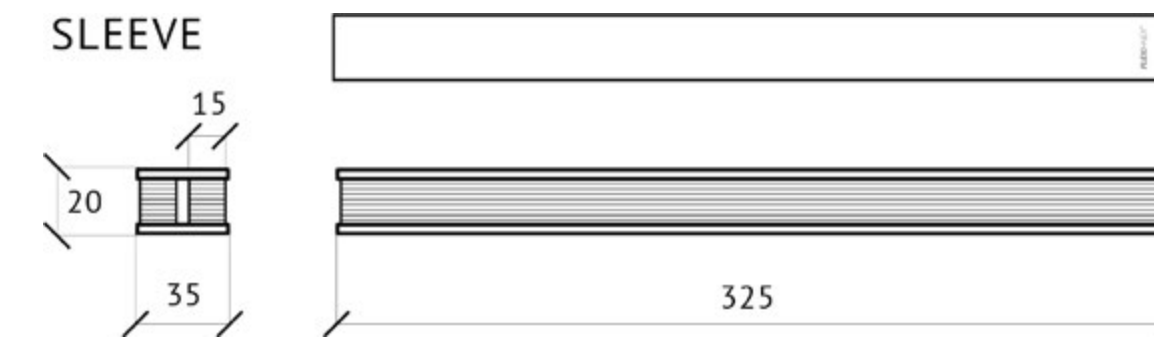
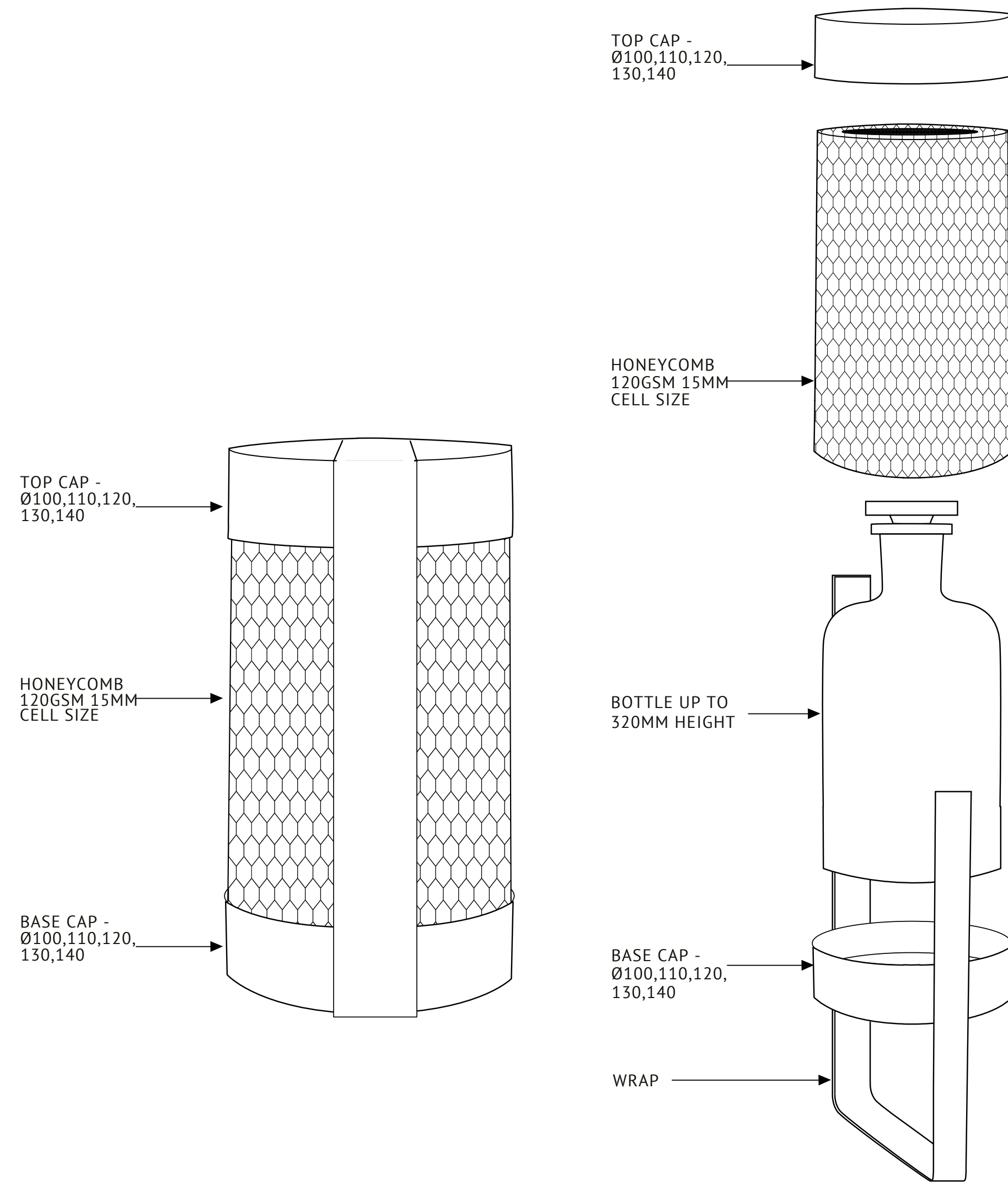
Material

Recycled cardboard (over 85% recycled paper content), 100% recyclable and biodegradable

Carrying Load

1.5kg

DRUM CAPSULE DATA SHEET / BOTTLE PACKAGING



DESIGN PATENT: GB2564066
 COPYRIGHT © 2019 Flexi-Hex Ltd.
 ALL RIGHTS RESERVED