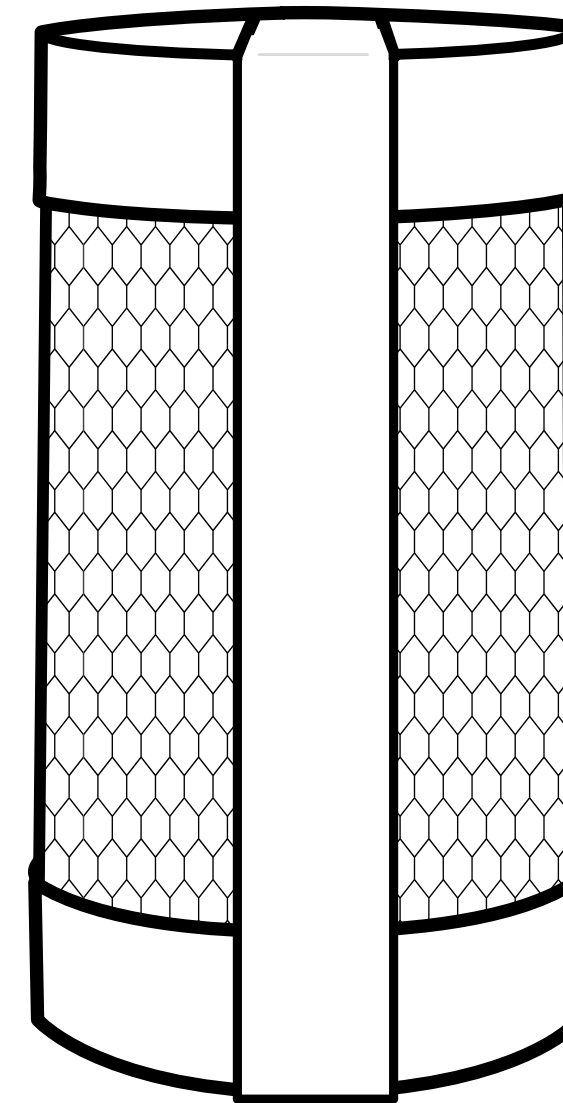


FLEXI-HEX[®]

→ **Drum Capsule data sheet**



DRUM DATA SHEET

Overview

A premium packaging solution using the Flexi-Hex Mini Sleeve, designed for shorter and wider bottles and gifts.

Details

- Designed for the safe shipping of higher value bottles and gifts.
- Suitable for shorter and wider bottles up to a maximum of 320mm
- 4 components: 1 Flexi-Hex Mini Sleeve to protect the bottle from impact and damage, 2 caps to secure the base and 1 wrap to hold the capsule firmly together
- Made from over 85% recycled paper pulp
- Plastic-free, kerbside recyclable, home compostable and biodegradable
- Wrap can be customised with company branding
- Can be inserted into a postal box
- A premium e-commerce solution which adds brand value and improves the customer unboxing experience

Components

NAME	SKU
100MM CAP	BOT-CAP-100
110MM CAP	BOT-CAP-110
120MM CAP	BOT-CAP-120
130MM CAP	BOT-CAP-130
140MM CAP	BOT-CAP-140
WRAP	BOT-CAP-150
Flexi-Hex® Mini Sleeve	MIN-SLV

FLEXI-HEX®

Product Information

NAME

Flexi-Hex® Drum Capsule

Specification

COMPLETE UNIT

340mm H x 120mm Dia

WEIGHT

225g

QTY PER BOX

SLEEVE UNIT

330mm x 35mm W x 20mm H

135g SU

100pcs

EXPANDED DIMENSIONS

Min 30mm - Max 300mm

CAP SIZES (MM)

100/110/120/130/140mm Dia x 35mm H

40g

100pcs

WRAP 280GSM

35mm W x 900mm L

10g

100pcs

Pallet info

DIMENSIONS

1180mm x 1080mm x 1200mm
(MINI SLEEVE INFO)

WEIGHT

667.50Kg

QTY

4500

Performance

CRUSH TEST (SLEEVE)

Test follows procedure outlined DIN EN 23035, 09/1994
At 23°C, 50% RH collapsing of the cells was on average 229kPa.
At 40°C, 90% RH collapsing of the cells was on average 147kPa.

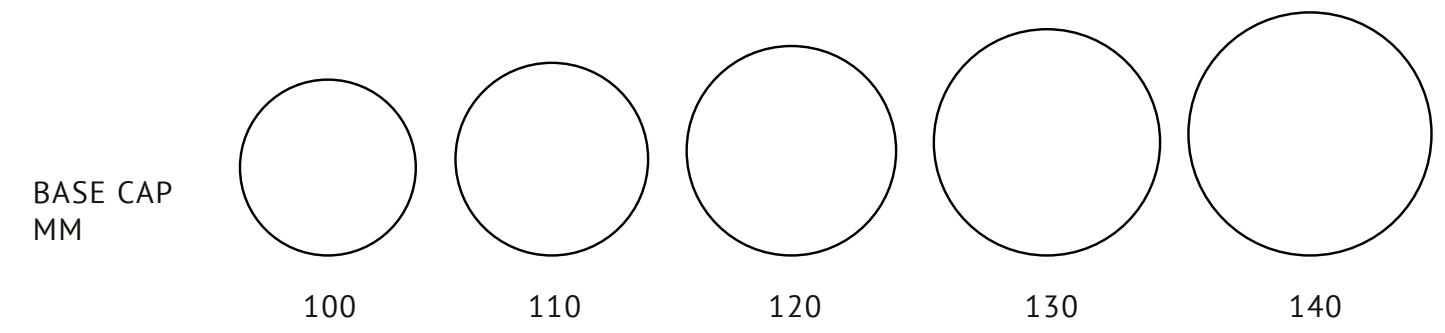
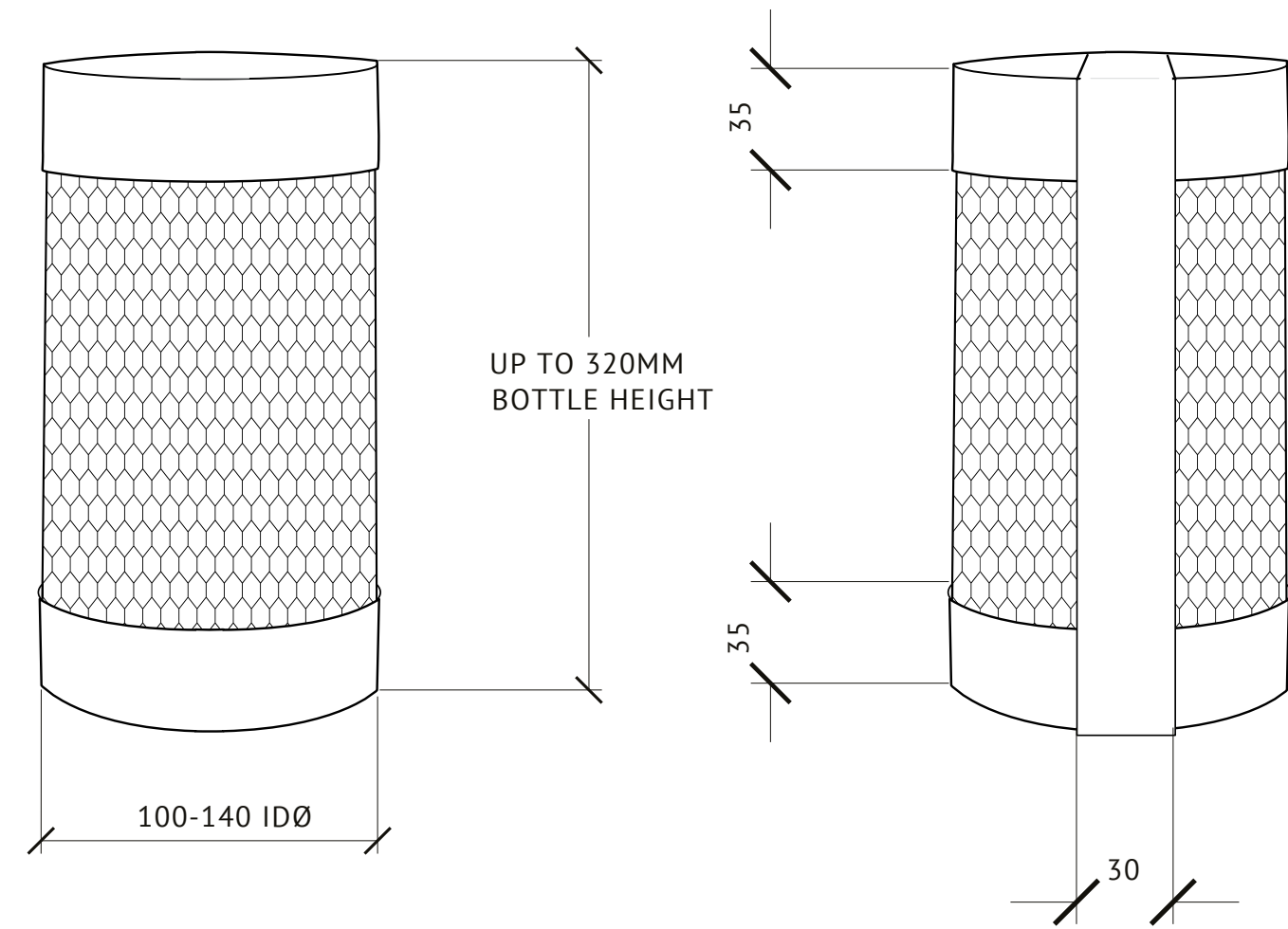
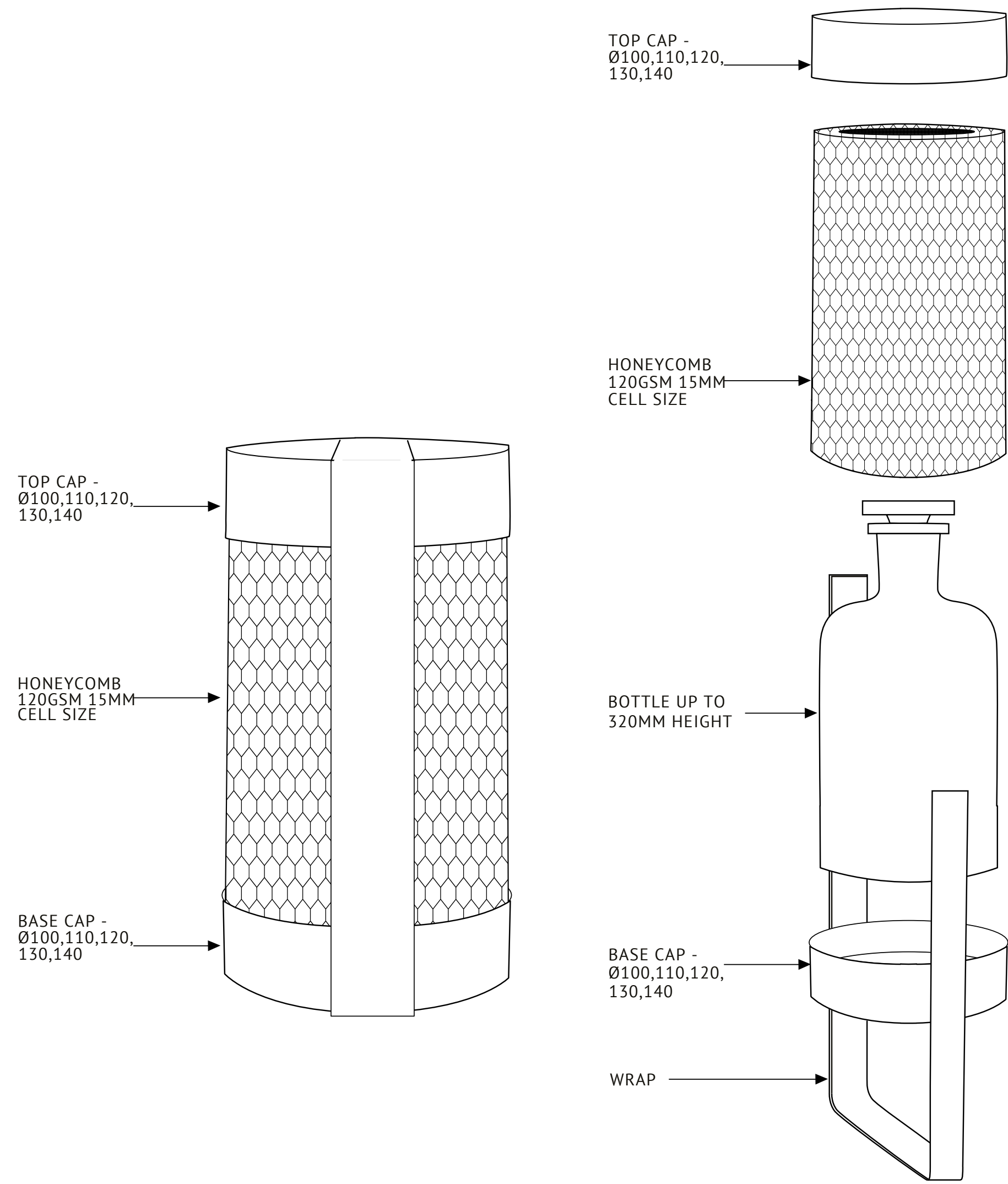
Material



Sleeve: Recycled cardboard, recyclable and biodegradable
85% recycled content

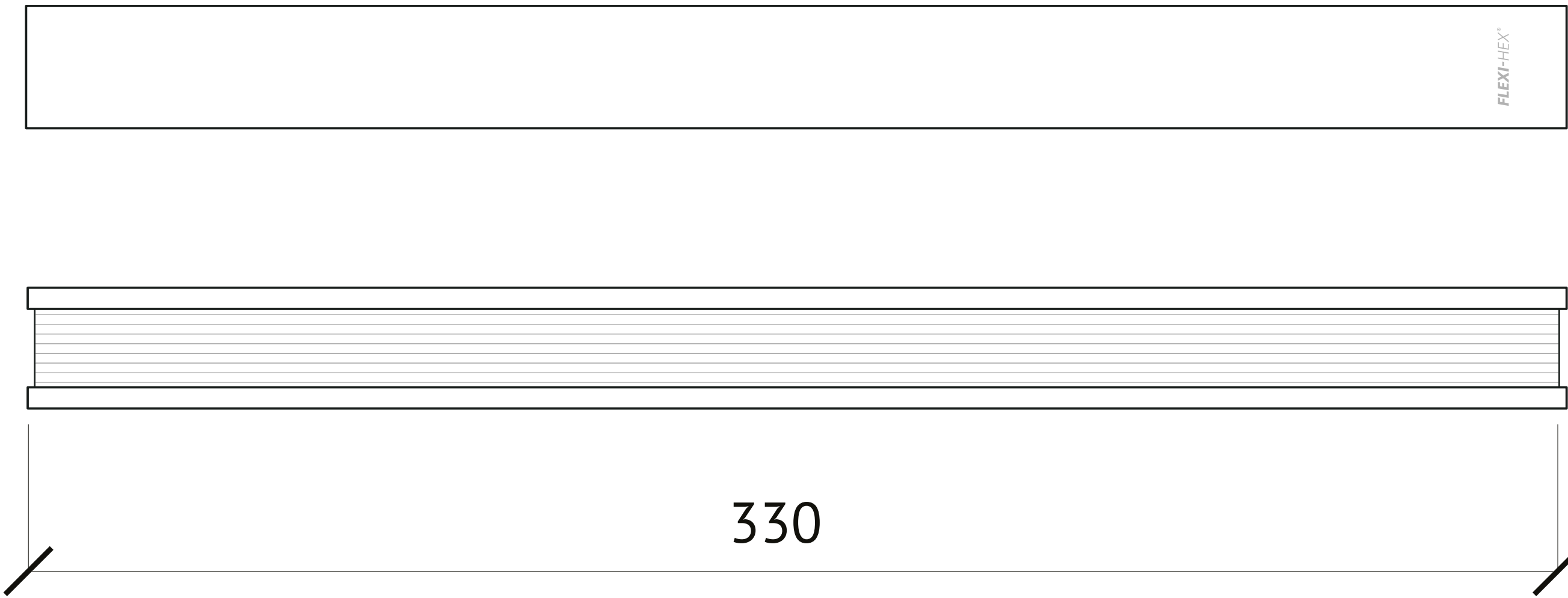
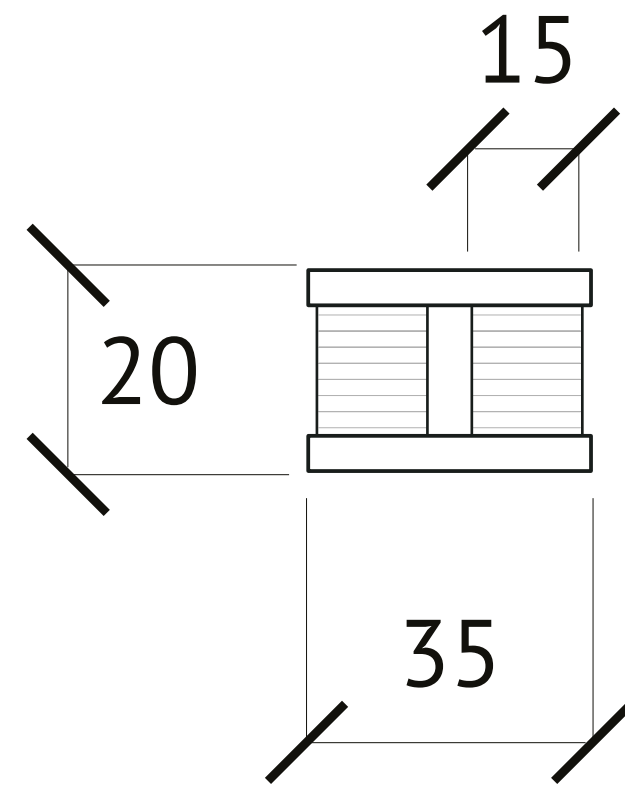


DRUM DATA SHEET

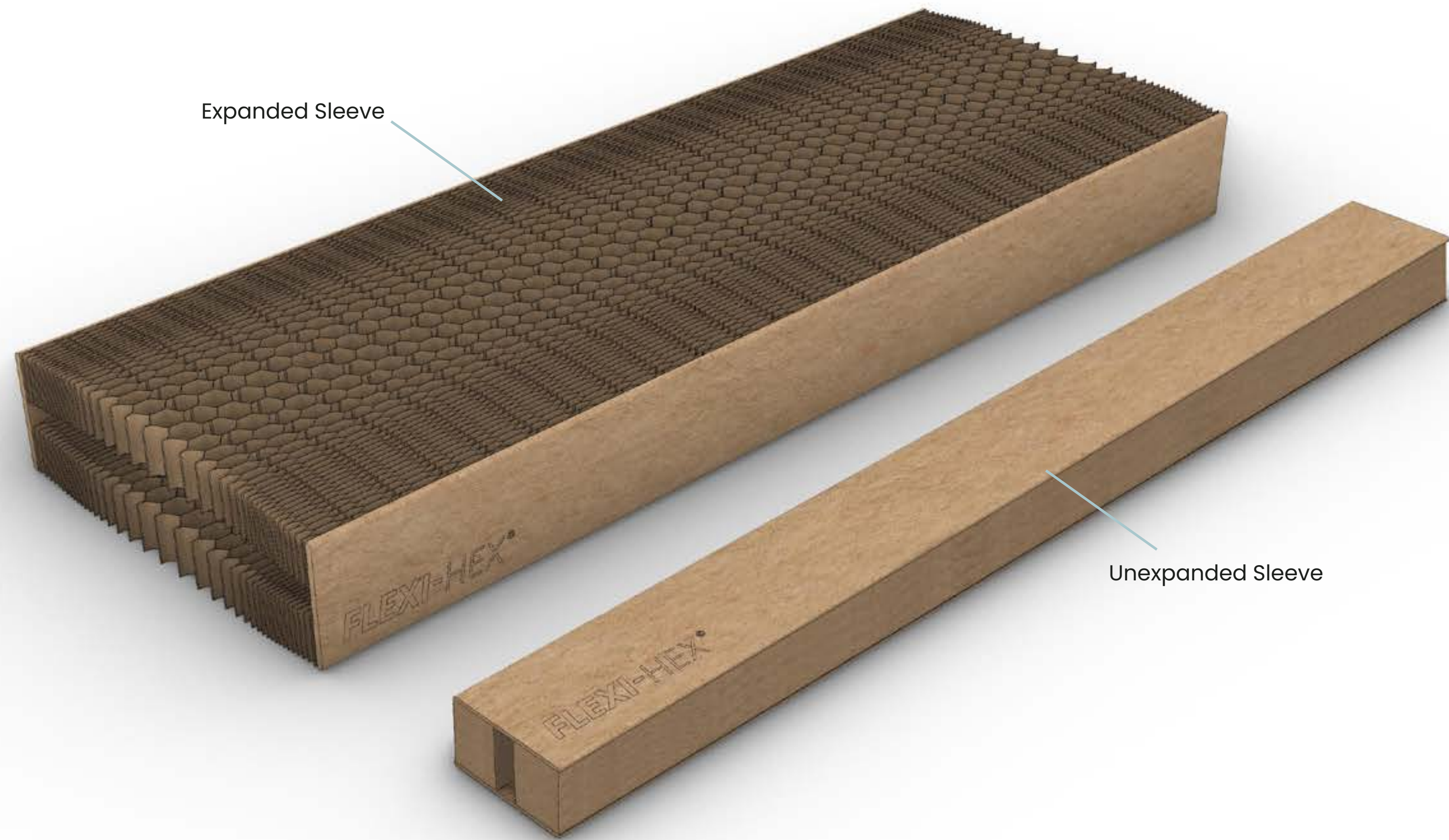


DESIGN PATENT: GB2564066
 COPYRIGHT © 2019 Flexi-Hex Ltd.
 ALL RIGHTS RESERVED

DRUM DATA SHEET



DRUM DATA SHEET



DRUM DATA SHEET

